

## BVB SERIES

### 2 WAY HIGH PRESSURE BALL VALVES

#### INTRODUCTION

Our two way HP ball valves are designed to suit a wide range of applications including mobile plant and industrial equipment. These valves should not be used as flow control valves and should therefore always be fully open or fully closed.

#### BENEFITS

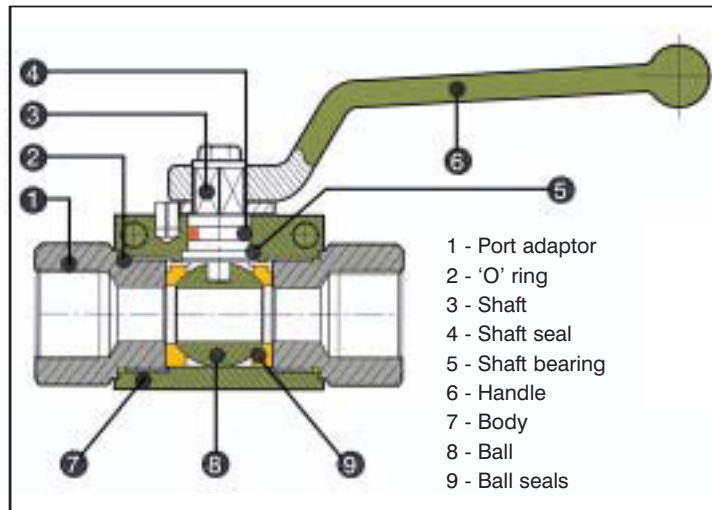
Full bore valves provide an unrestricted flow path for negligible pressure drop.

Floating ball on pre-compressed seals minimises wear and provides an excellent seal at positive and negative pressures.

Operating temperatures from -20C to +100C.

Open to close in 1/4 turn (90 Degree).

Cranked handles are incorporated to provide good clearance for the operator's hands.

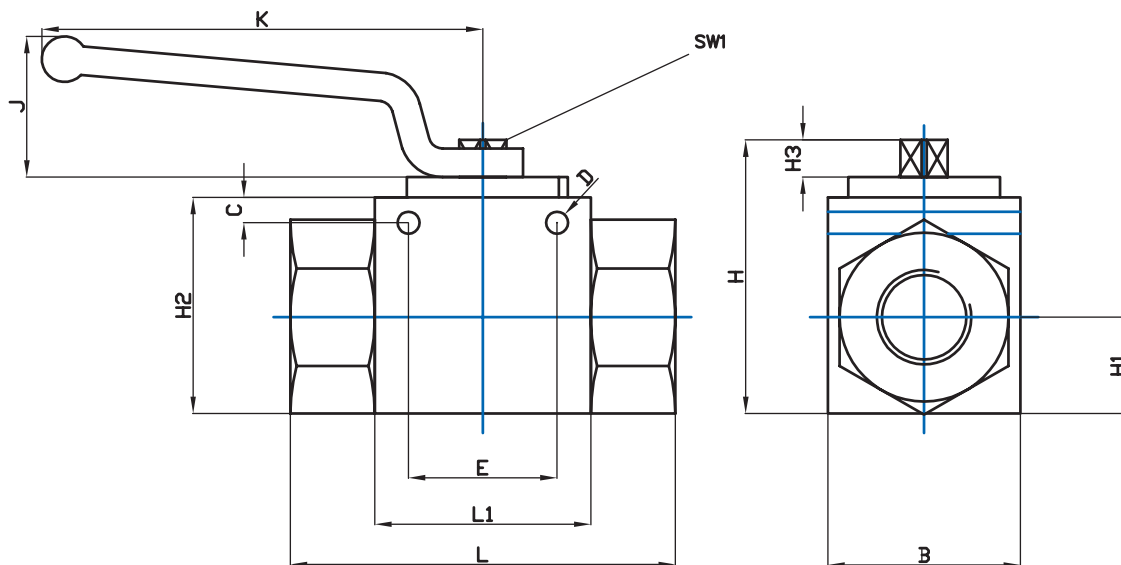


#### CONSTRUCTION

- Body and port adaptor are zinc plated steel (38SMn PB 10).
- Handle - steel forging, zinc plated.
- Ball - carbon steel.
- Ball seals - DELRIN (polyacetalic resin)
- Shaft seal - nitrile

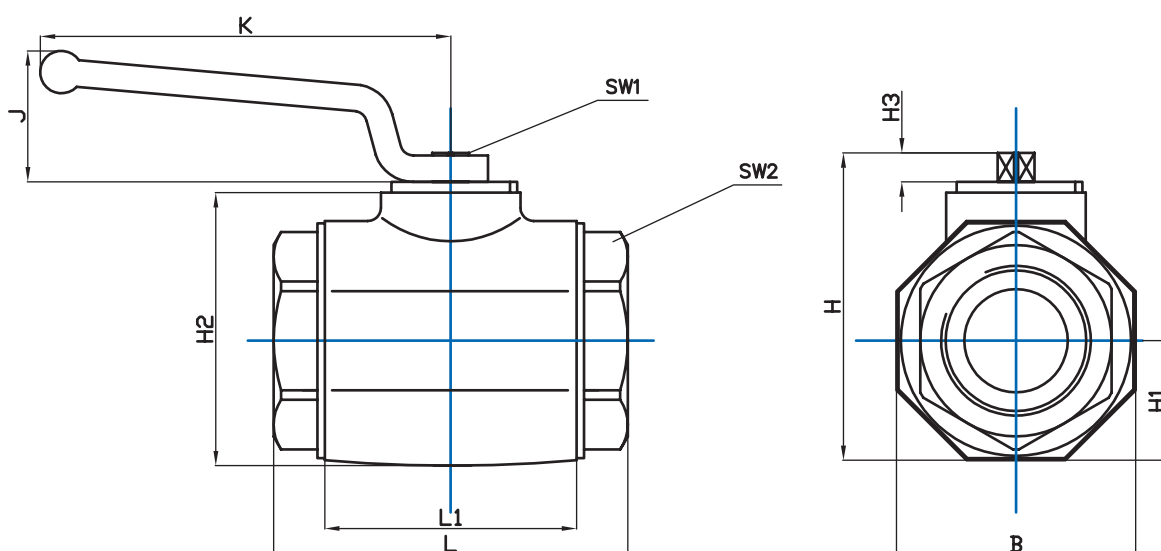


## 2 WAY BALL VALVES - SIZES 04 to 20



| Code   | ND | Max W.P Bar | L   | L1 | B  | H     | H1   | H2 | H3 | E    | D   | C   | SW1 | K   | J  |
|--------|----|-------------|-----|----|----|-------|------|----|----|------|-----|-----|-----|-----|----|
| BVB-04 | 6  | 500         | 69  | 37 | 28 | 44.5  | 13   | 32 | 8  | 26   | 5   | 4.5 | 9   | 135 | 40 |
| BVB-06 | 10 | 500         | 72  | 42 | 35 | 52.5  | 17   | 40 | 8  | 32   | 5   | 6.5 | 9   | 135 | 40 |
| BVB-08 | 13 | 500         | 83  | 48 | 35 | 52.5  | 17   | 40 | 8  | 37.5 | 4.8 | 6.5 | 9   | 135 | 40 |
| BVB-12 | 20 | 315         | 95  | 60 | 48 | 75    | 24   | 57 | 12 | 45   | 6.5 | 6.5 | 14  | 181 | 61 |
| BVB-16 | 25 | 315         | 113 | 65 | 57 | 82    | 28.5 | 64 | 12 | 55   | 6   | 6.7 | 14  | 181 | 61 |
| BVB-20 | 32 | 315         | 110 | 84 | 75 | 104.5 | 37.5 | 84 | 14 | 55   | 6   | 6.7 | 17  | 221 | 75 |

## 2 WAY BALL VALVES - SIZES 24 & 32



| Code   | ND | Max W.P Bar | L   | L1  | B   | H     | H1   | H2    | H3 | SW1 | K   | J  |
|--------|----|-------------|-----|-----|-----|-------|------|-------|----|-----|-----|----|
| BVB-24 | 40 | 315         | 130 | 91  | 85  | 115.5 | 42.5 | 95    | 14 | 17  | 221 | 75 |
| BVB-32 | 50 | 315         | 140 | 100 | 105 | 133   | 52.5 | 112.5 | 14 | 17  | 221 | 75 |

Dimensions in mm

All dimensions shown are for guidance only, if critical contact Fluid Connectors WA Technical Department